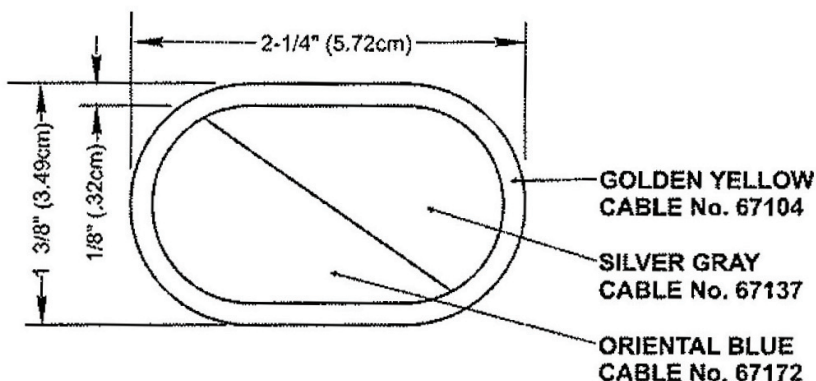


REVISIONS

LTR	DESCRIPTION	DATE	APPROVED
-----	-------------	------	----------



DESIGNED FOR OVEREDGE STITCHING

UNLESS OTHERWISE SPECIFIED DIMENSIONS ARE IN INCHES
TOLERANCES ON FRACTIONS DECIMALS ANGLES

MATERIALS:
TO BE MANUFACTURED IN ACCORDANCE WITH MIL-DTL-14652

EXAMINED	SAO
CHECKED	pm
PREPARED	CLH

APPROVED
Charles V. Mugno
CHARLES V. MUGNO
DIRECTOR

THE INSTITUTE OF HERALDRY, DEPARTMENT OF THE ARMY
9325 GUNSTON RD, RM S-113 FORT BELVOIR, VA 22060-5579

BACKGROUND TRIMMING FOR
**201ST QUARTERMASTER
DETACHMENT**

SIZE CONTROL IDENT. NO
A 22571

A-6-297

SCALE FULL DATE **29 JUNE 2011**